

# VC-A20P Quick Installation Guide

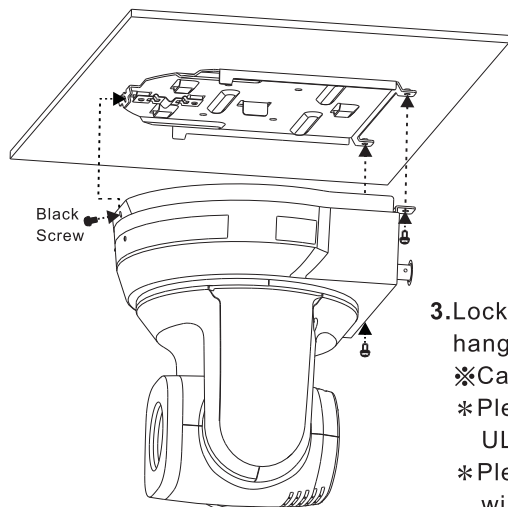
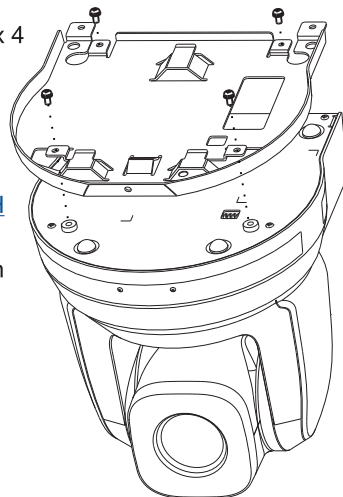
## 1. I would like to install Camera on the ceiling

### 1.1 Prepare for the parts and equipment required during the installation

- ▶ Accessories of Camera in the box (metal plates A, B, M3 screw silver x 8, black x 2)
- ▶ Screw for locking on ceiling mounted hanger x 4
- ▶ Drilling machine, screw driver, ladder

### 1.2 Installation steps

1. Please adjust resolution on DIP Switch at first. (Please refer to [2. Instruction on DIP SWITCH Setting](#))
2. Fix the metal plate A on the machine base with 4 M3 silver screws.



3. Lock the metal plate B on ceiling mounted hanger
  - ※Caution:
  - \* Please use the hanger that has obtained UL security approval.
  - \* Please reserve the hole for the connecting wires of the camera.

4. Combine the metal plate A and the metal plate B
  - ▶ Push the metal plate A up to the ceiling and then to the right to latch the metal plate B.
  - ▶ And then secure with 2 M3 silver screws and 1 M3 black screw.

## 2. Instruction on DIP SWITCH Setting

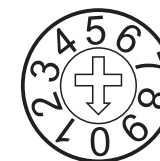
### 2.1 OUTPUT SWITCH 2.2 IR SELECT



Output Mode	Setting
1920x1080/60p	
1920x1080/50p	
1920x1080/30p	
1920x1080/25p	
1920x1080/60i	
1920x1080/50i	
1280x720/60p	
1280x720/50p	
1080/59.94p	
1080/59.94i	
1080/29.97p	
720/59.94p	

ID	Setting
1	
2	
3	

### 2.3 Camera Address Selector



Setting	Function Descriptions
0~7	ID 0~7
8~9	Reserved

### 2.4 System Switch

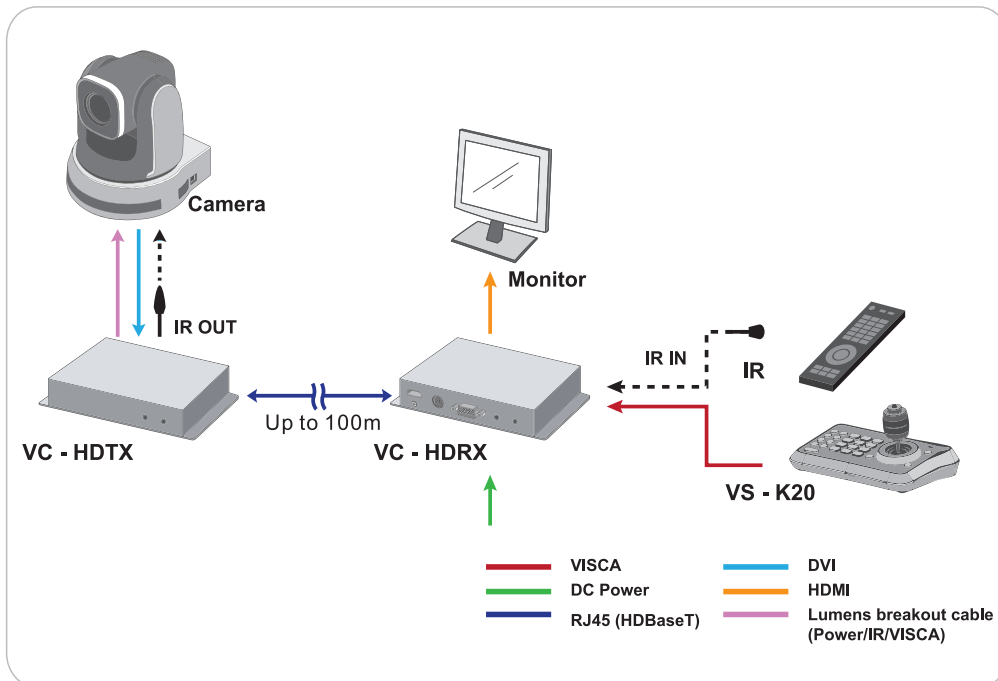


Setting	Function Descriptions
DIP 1	RS-232C/RS-422 selector OFF: RS-232C / ON : RS-422
DIP 2	Infrared signal output switch OFF: Off / ON : On
DIP 3	Communication baud rate selector OFF: 9600 / ON : 38400
DIP 4	Reserved

### 3. Single Camera Connection

#### Device List

- Lumens Camera x1
- VC-HDTX(Optional) x1
- VC-HDRX(Optional) x1
- VS-K20(Optional) x1
- Monitor x1



### 4. Multi-Camera Connection

#### Device List

- Lumens Camera x1-7
- VC-HDTX(Optional) x1-7
- VC-HDRX(Optional) x1-7
- VS-K20(Optional) x1
- Monitor x1
- VC-AC07 x1-6

